

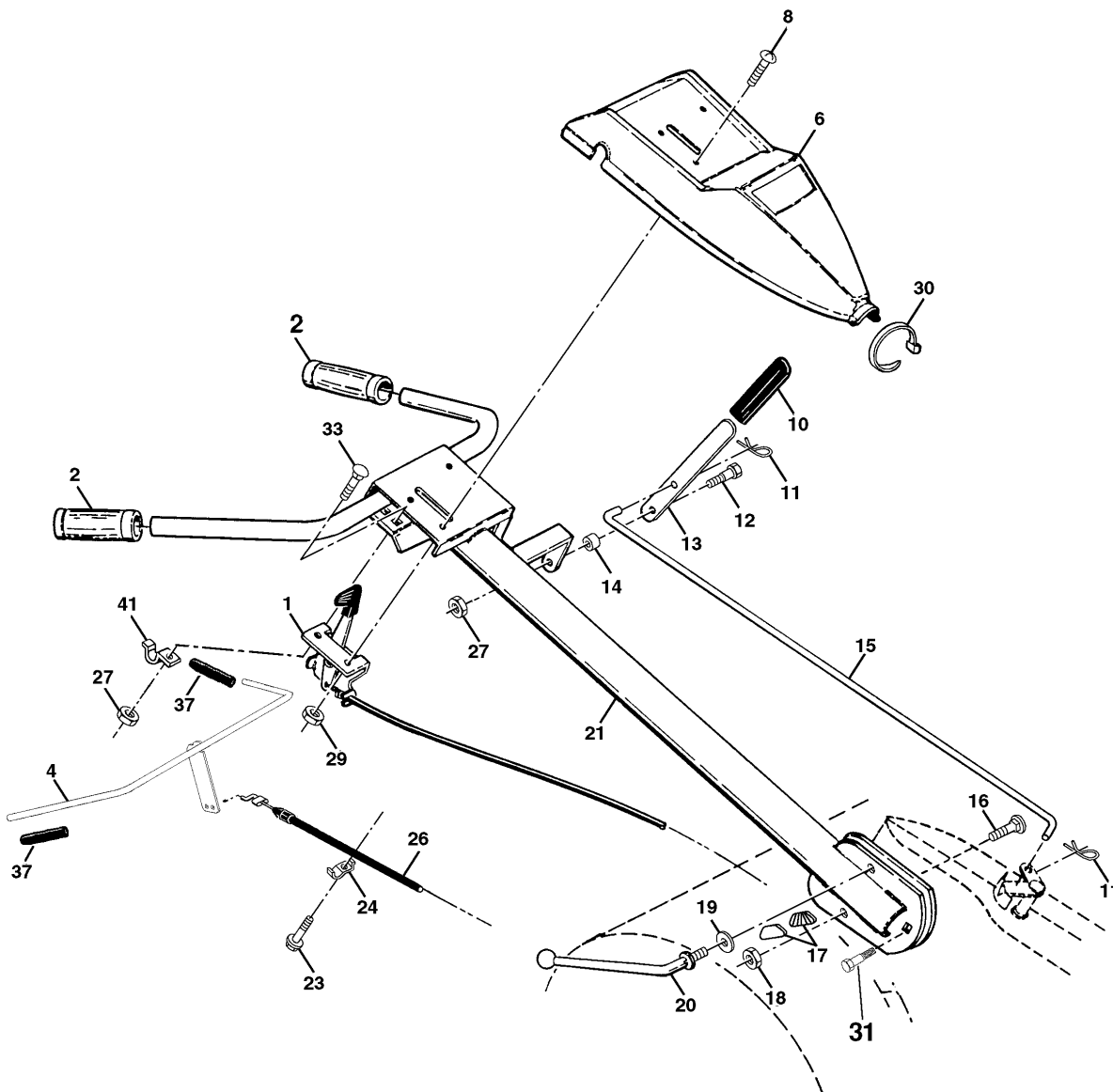
RT5

Spare parts
Ersatzteile
Pièces détachées
Reserve onderdelen
Repuestos
Reservdelar

REPAIR PARTS

TILLER - - MODEL NUMBER RT5 (JRT5Q)

HANDLE ASSEMBLY



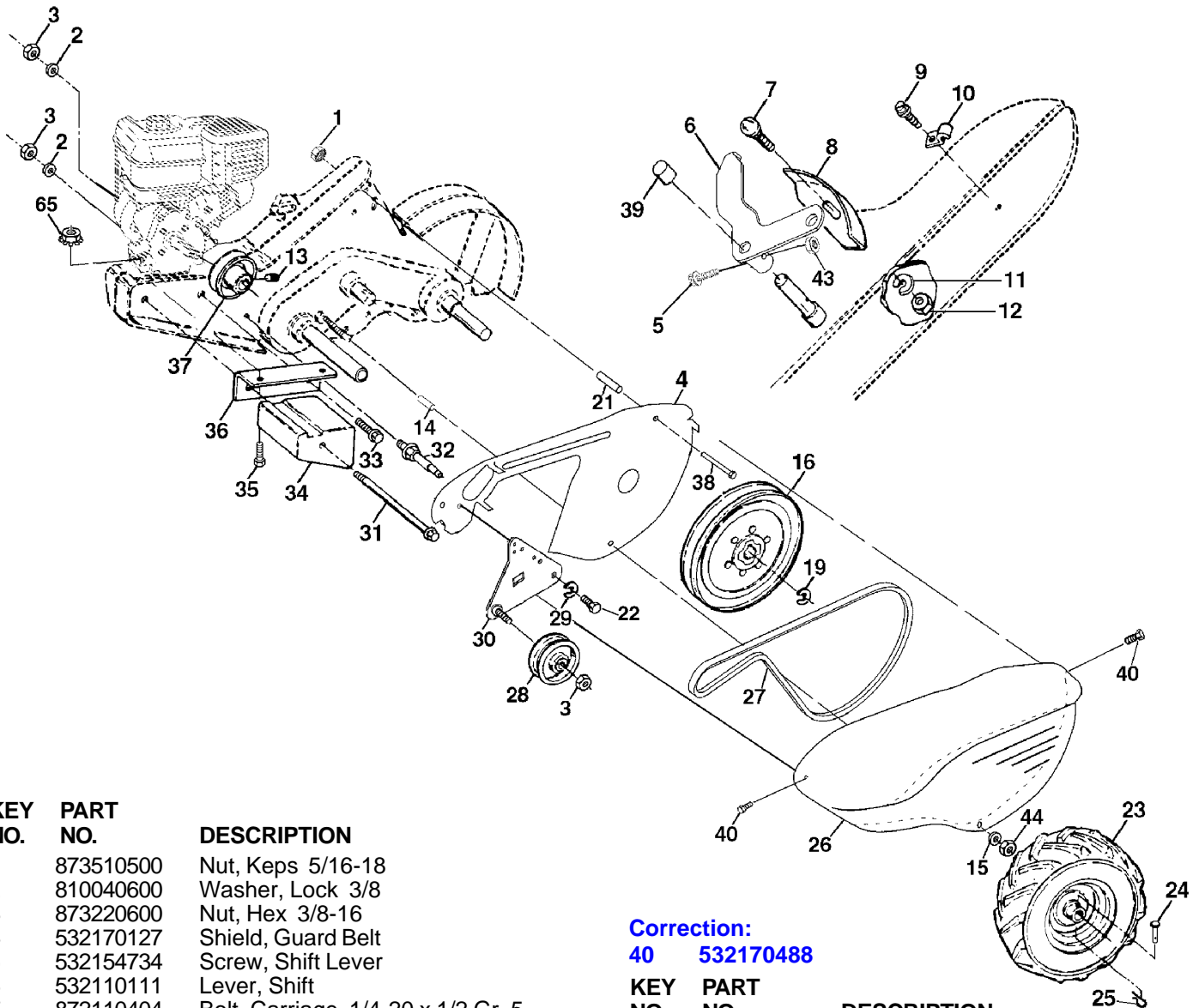
| KEY NO. | PART NO. | DESCRIPTION | KEY NO. | PART NO. | DESCRIPTION |
|---------|-----------|-----------------------------------|---------|-----------|---------------------------------|
| 1 | 532175250 | Control, Throttle | 20 | 532109228 | Lever, Lock, Handle |
| 2 | 532009266 | Grip, Handle | 21 | 532154106 | Handle |
| 4 | 532159228 | Bar Assembly, Control | 23 | 532086777 | Screw Hex Wsh Slit #10-24 x .50 |
| 6 | 532126951 | Panel, Control | 24 | 532009484 | Clip |
| 8 | 871191008 | Screw, Truss Hd. #10-24 UNC x 1/2 | 26 | 532159231 | Cable, Clutch |
| 10 | 532124797 | Grip, Handle | 27 | 873900400 | Nut Hex Flange 1/4-20 UNC |
| 11 | 532124788 | Clip, Hairpin | 29 | 873731000 | Nut, Keps #10-24 UNC |
| 12 | 532081328 | Bolt, Shoulder | 30 | 532104164 | Tie, Cable |
| 13 | 532109335 | Handle, Shift | 31 | 532150696 | Bolt, Pivot |
| 14 | 532109313 | Grommet, Rubber | 33 | 872140404 | Bolt, Carriage 1/4-20 UNC x 1/2 |
| 15 | 532109337 | Rod, Shift | 37 | 532102604 | Grip, Bar, Control |
| 16 | 872110608 | Bolt, Carriage 3/8-16 x 1 Gr. 5 | 41 | 532102744 | Clamp, Bar, Control |
| 17 | 532109229 | Lock, Handle | | | |
| 18 | 873680600 | Nut Crownlock 3/8-16 UNC | | | |
| 19 | 819131611 | Washer 13/32 x 1 x 11 Ga. | | | |

NOTE: All component dimensions given in U.S. inches.
1 inch = 25.4 mm

REPAIR PARTS

TILLER - - MODEL NUMBER RT5 (JRT5Q)

MAINFRAME, LEFT SIDE



| KEY NO. | PART NO. | DESCRIPTION |
|---------|------------------|---|
| 1 | 873510500 | Nut, Keps 5/16-18 |
| 2 | 810040600 | Washer, Lock 3/8 |
| 3 | 873220600 | Nut, Hex 3/8-16 |
| 4 | 532170127 | Shield, Guard Belt |
| 5 | 532154734 | Screw, Shift Lever |
| 6 | 532110111 | Lever, Shift |
| 7 | 872110404 | Bolt, Carriage 1/4-20 x 1/2 Gr. 5 |
| 8 | 532008700 | Plate, Shift Indicator |
| 9 | 532086777 | Screw, Hex, Washer Head, Slotted #10-24 x 1/2 |
| 10 | 532009484 | Clip |
| 11 | 810040400 | Washer, Lock 1/4 |
| 12 | 873220400 | Nut, Hex 1/4-20 |
| 13 | 823230506 | Screw, Set, Hex 5/16-18 x 3/8 |
| 14 | 532156117 | Spacer, Split 0.327 x 0.42 x 1.220 |
| 15 | 819111116 | Washer 11/32 x 11/16 x 16 Ga. |
| 16 | 532145102 | Sheave, Transmission |
| 19 | 812000028 | Ring, Retainer |
| 21 | 532110652 | Spacer, Split 0.327 x 0.42 x 2.09 |
| 22 | 874770508 | Bolt, Fin Hex 5/16-24 x 1/2 |
| 23 | 532005015 | Tire |
| | 532124366 | Rim |
| | 532124718 | Tire Valve |
| 24 | 532126875 | Rivet, Drilled |
| 25 | 532124788 | Clip, Hairpin |

Correction:
40 532170488

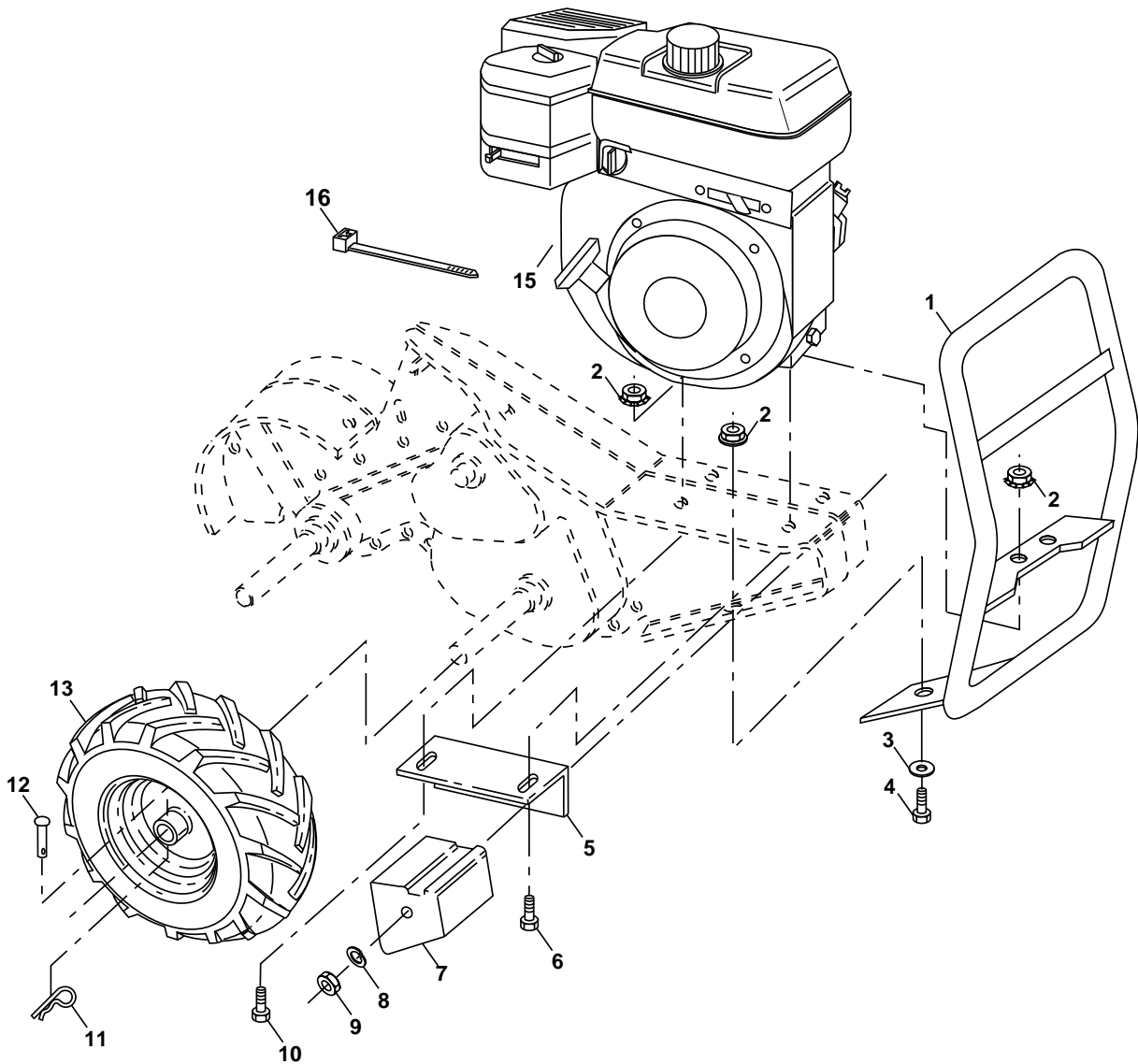
| KEY NO. | PART NO. | DESCRIPTION |
|---------|------------------|--------------------------------|
| 26 | 532167488 | Guard, Belt |
| 27 | 532132801 | Belt, V |
| 28 | 532104679 | Pulley, Idler |
| 29 | 812000032 | Ring, Klip |
| 30 | 532159229 | Bracket, Idler |
| 31 | 532102384 | Bolt, Hex 5/16-16 x 12 |
| 32 | 532102141 | Shaft, Idler Arm |
| 33 | 874760616 | Bolt, Hex 3/8-16 x 1 |
| 34 | 532102383 | Counterweight, L. H. |
| 35 | 874760532 | Bolt, Hex 5/16-18 x 2 |
| 36 | 532102331 | Bracket, Reinforcement, L. H. |
| 37 | 532130812 | Sheave, Engine |
| 38 | 874760544 | Bolt, Fin Hex 5/16-18 x 2-3/4 |
| 39 | 532140062 | Cap Plunger |
| 40 | 532140788 | Screw Hex Wsh Slt #10-24 x .50 |
| 43 | 532069180 | Nut, Lock #10-24 |
| 44 | 873800400 | Nut Lock 5/16-18 UNC |
| 65 | 873970500 | Nut Lock Hex Flange |

NOTE: All component dimensions given in U.S. inches.
 1 inch = 25.4 mm

REPAIR PARTS

TILLER - - MODEL NUMBER RT5 (JRT5Q)

MAINFRAME, RIGHT SIDE



| KEY NO. | PART NO. | DESCRIPTION |
|---------|-----------|-------------------------------|
| 1 | 532166532 | Bumper |
| 2 | 873970500 | Nut, Lock Hex Flange |
| 3 | 819111116 | Washer 11/32 x 11/16 x 16 Ga. |
| 4 | 874760512 | Bolt Hex Hd 5/16-18 x 3/4 |
| 5 | 532102332 | Bracket, Reinforcement |
| 6 | 874760532 | Bolt, Hex 5/16-18 x 2 |
| 7 | 532102173 | Counter Weight, R.H. |
| 8 | 810040600 | Washer, Lock 3/8 |
| 9 | 873220600 | Nut, Hex 3/8-16 |
| 10 | 874760524 | Bolt, Hex 5/16-18 x 1-1/2 |
| 11 | 532124788 | Clip, Hairpin |
| 12 | 532126875 | Rivet, Drilled |

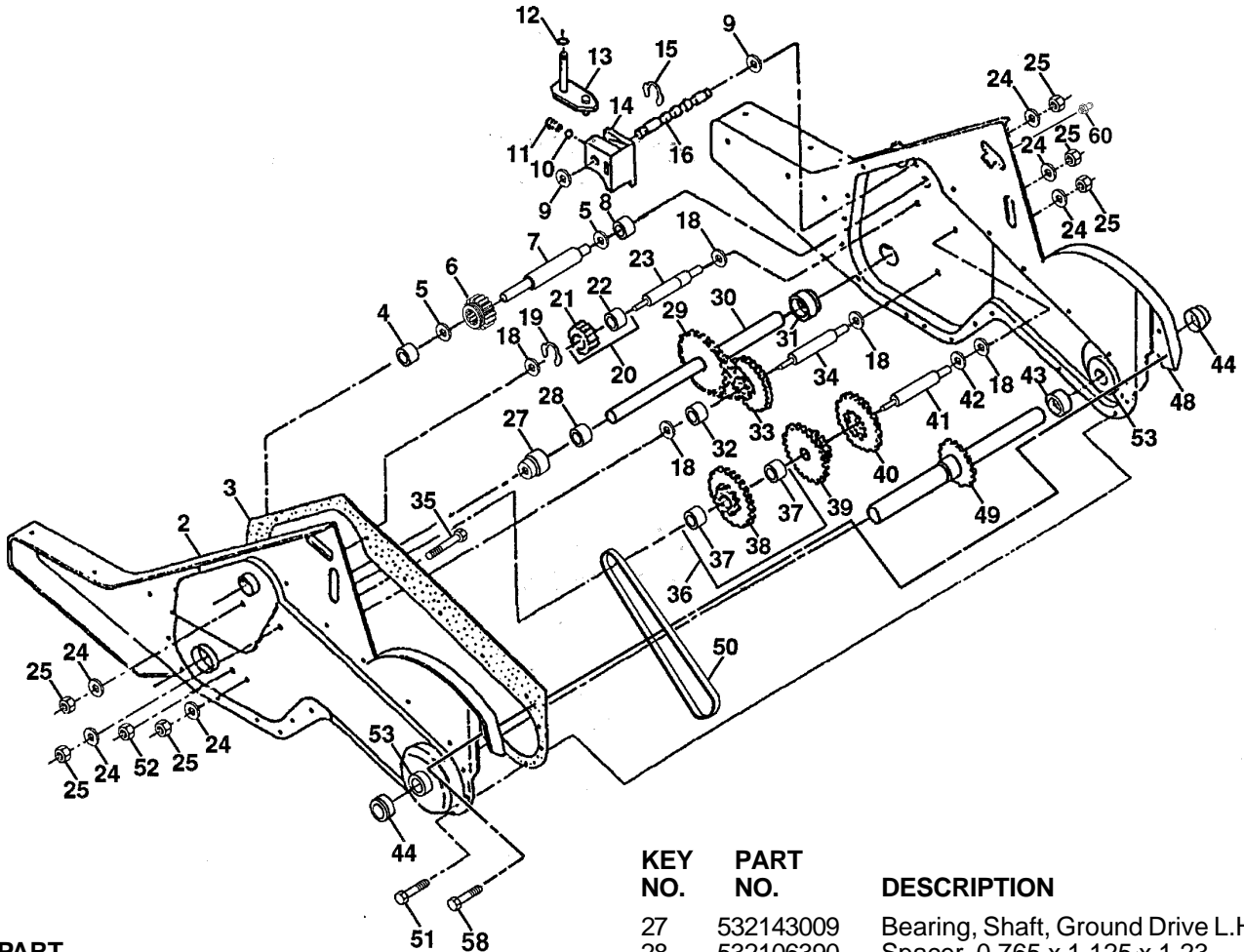
| KEY NO. | PART NO. | DESCRIPTION |
|---------|------------------|--|
| 13 | 532005015 | Tire |
| | 532124366 | Rim |
| | 532124718 | Tire Valve |
| 15 | ----- | Engine, Briggs & Stratton Model No. 110402 (Oder parts from engine manufacturer) |
| 16 | 532124756 | Tie, Cable |

NOTE: All component dimensions given in U.S.inches.
1 inch = 25.4 mm

REPAIR PARTS

TILLER - - MODEL NUMBER RT5 (JRT5Q)

TRANSMISSION



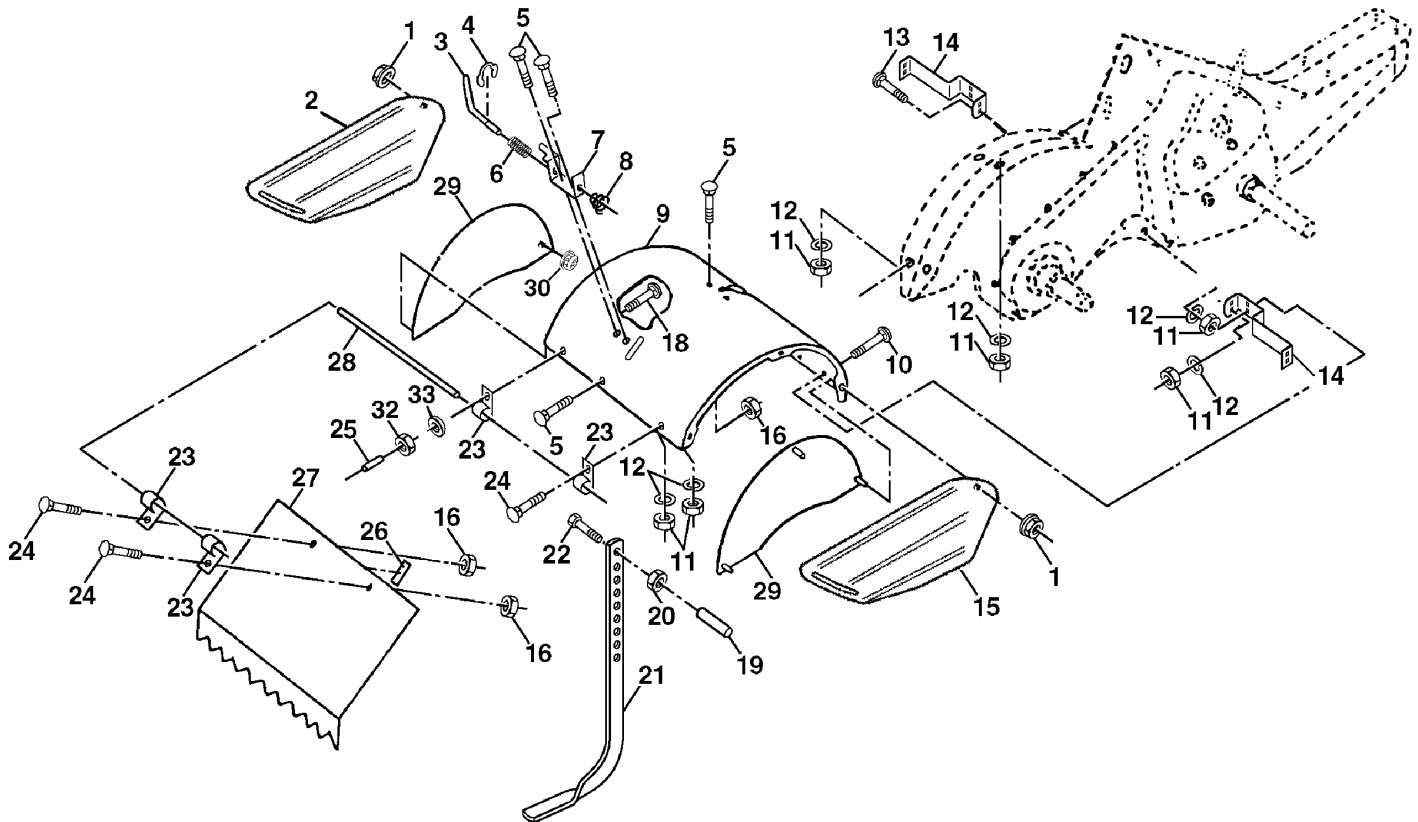
| KEY NO. | PART NO. | DESCRIPTION | KEY NO. | PART NO. | DESCRIPTION |
|---------|-----------|---|---------|-----------|---|
| 1 | 532170337 | Transmission Assembly (Includes Key Nos. 2-53) | 27 | 532143009 | Bearing, Shaft, Ground Drive L.H. |
| 2 | 532165729 | Gearcase, L.H. w/Bearing (Includes Key No. 4) | 28 | 532106390 | Spacer 0.765 x 1.125 x 1.23 |
| 3 | 532161963 | Gasket, Gearcase | 29 | 532102134 | Chain #35-50 Pitch |
| 4 | 532005020 | Bearing, Needle | 30 | 532150737 | Ground Shaft Assembly |
| 5 | 532001370 | Washer, Thrust 5/8 x 1.10 x 1/32 | 31 | 532143008 | Bearing, Shaft, Ground Drive R.H. |
| 6 | 532137335 | Pinion, Input | 32 | 532106388 | Spacer 0.70 x 1.00 x 1.150 |
| 7 | 532145101 | Shaft, Input | 33 | 532102121 | Sprocket and Gear Assembly |
| 8 | 532124792 | Bearing, Needle | 34 | 532102112 | Shaft, Reduction (2nd) |
| 9 | 532154467 | Washer, Seal | 35 | 532102101 | Screw, Whiz, Lock 5/16-18 x 3-1/2 |
| 10 | 532124697 | Ball, Steel | 36 | 532154355 | Sprocket Assembly w/Bearing (Includes Key Nos. 37 and 38) |
| 11 | 532100371 | Spring, Shift, Fork | 37 | 532124791 | Bearing, Needle |
| 12 | 532106160 | O-Ring | 38 | 532154356 | Sprocket, Tine |
| 13 | 532142145 | Bracket, Asm. Shift CRT | 39 | 532105345 | Gear, Cluster, Red 1st & 2nd |
| 14 | 532008353 | Fork, Shift | 40 | 532105346 | Gear, Reverse |
| 15 | 812000039 | Ring, Klip | 41 | 532008358 | Shaft, Reduction (1st) |
| 16 | 532154466 | Shaft, Shift | 42 | 532004220 | Washer, Thrust |
| 18 | 532004358 | Washer | 43 | 532106146 | Spacer 1.01 x 1.75 x 0.760 |
| 19 | 812000040 | Ring, Klip | 44 | 532155236 | Seal, Asm Oil |
| 20 | 532102114 | Gear, Assembly, Reverse Idler (Includes Key Nos. 21 and 22) | 48 | 532170338 | Gearcase, R.H. w/Bearing (Includes Key No. 8) |
| 21 | 532102115 | Gear, Reverse Idler | 49 | 532132688 | Shaft, Tine |
| 22 | 532006803 | Bearing, Needle | 50 | 532106147 | Chain, Roller #50-50 Pitch |
| 23 | 532102111 | Shaft, Reverse Idler | 51 | 817720408 | Screw, Thd Cut 1/4-20 x 1/2 |
| 24 | 810040700 | Washer, Lock 7/16 | 52 | 873220500 | Nut, Hex 5/16-18 |
| 25 | 873610700 | Nut, Hex 7/16-20 | 53 | 532165140 | Kit Bearing |
| | | | 54 | 817720412 | Screw, Thd Cut 1/4-20 x 3/4 |
| | | | 60 | 532006855 | Fitting Grease |
| | | | -- | 532006066 | Grease, Plastilube #1 |

NOTE: All component dimensions given in U.S. inches.
1 inch = 25.4 mm

REPAIR PARTS

TILLER - - MODEL NUMBER RT5 (JRT5Q)

TINE SHIELD



| KEY NO. | PART NO. | DESCRIPTION |
|---------|-----------|-------------------------------------|
| 1 | 873900500 | Nut, Flange 5/16-18 |
| 2 | 532164062 | Shield, Side, Outer L. H. |
| 3 | 532008393 | Pin, Stake, Depth |
| 4 | 812000036 | Ring, Klip |
| 5 | 872140506 | Bolt, Carriage 5/16-18 x 3/4 Gr 5 |
| 6 | 532008394 | Spring |
| 7 | 532008392 | Bracket, Latch |
| 8 | 532109230 | Spring, Depth Stake |
| 9 | 532142036 | Shield, Tine |
| 10 | 872140508 | Bolt, Carriage 5/16-18 x 1 |
| 11 | 873220500 | Nut, Hex 5/16-18 |
| 12 | 810040500 | Washer, Lock 5/16 |
| 13 | 872110510 | Bolt, Carriage 5/16-18 x 1-1/4 |
| 14 | 532124311 | Bracket, Shield Tine |
| 15 | 532164061 | Shield, Side, Outer R.H. |
| 16 | 873900400 | Nut Hex Flange 1/4-20 |
| 18 | 872040410 | Bolt, Carriage 1/4-20 x 1-1/4 Gr. 5 |

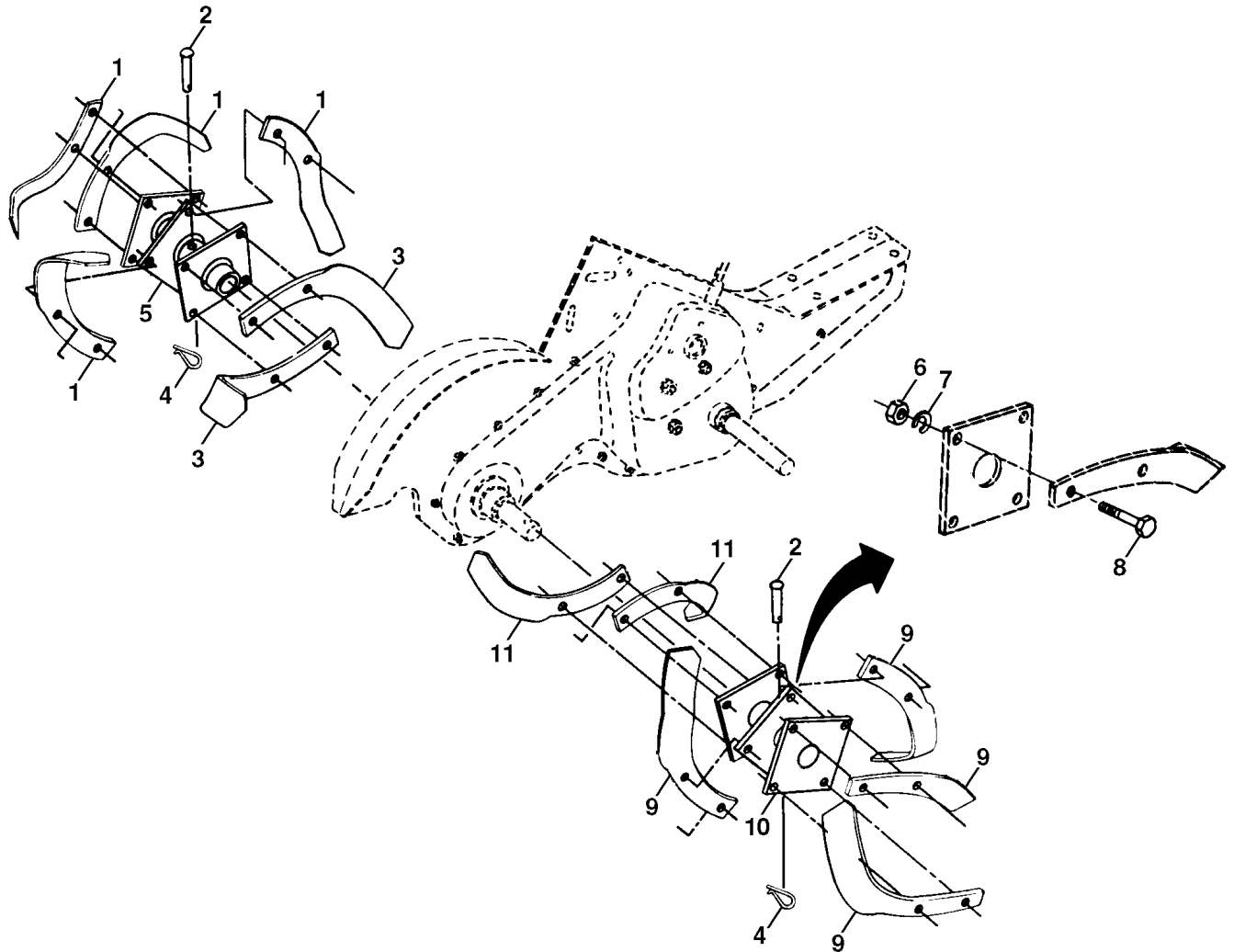
| KEY NO. | PART NO. | DESCRIPTION |
|---------|-----------|-----------------------------------|
| 19 | 532102701 | Grip |
| 20 | 873220600 | Nut, Hex 3/8-16 |
| 21 | 532102156 | Stake, Depth |
| 22 | 874930632 | Bolt, Hex 3/8-16 x 2 |
| 23 | 532004440 | Hinge |
| 24 | 872140404 | Bolt, Carriage 1/4-20 x 1/2 Gr. 5 |
| 25 | 532124717 | Cap, Vinyl |
| 26 | 532109227 | Pad, Idler |
| 27 | 532125410 | Shield, Leveling |
| 28 | 532120588 | Pin, Hinge |
| 29 | 532142037 | Shield, Side |
| 30 | 873970500 | Nut, Lock Hx Flange |
| 32 | 873220400 | Nut Fin Hex 1/4-20 UNC |
| 33 | 810040400 | Washer Lock Hvy Hcl 1/4 |

NOTE: All component dimensions given in U.S. inches.
1 inch = 25.4 mm

REPAIR PARTS

TILLER - - MODEL NUMBER RT5 (JRT5Q)

TINE ASSEMBLY



| KEY NO. | PART NO. | DESCRIPTION |
|---------|-----------|-------------------------------|
| 1 | 532004459 | Tine, Outer, L.H. |
| 2 | 532132673 | Clevis Pin |
| 3 | 532006554 | Tine, Inner, L.H. |
| 4 | 532124660 | Retainer Spring |
| 5 | 532132727 | Assembly, Hub and Plate, L.H. |
| 6 | 873610600 | Nut, Hex 3/8-24 |
| 7 | 810040600 | Washer, Lock 3/8 |

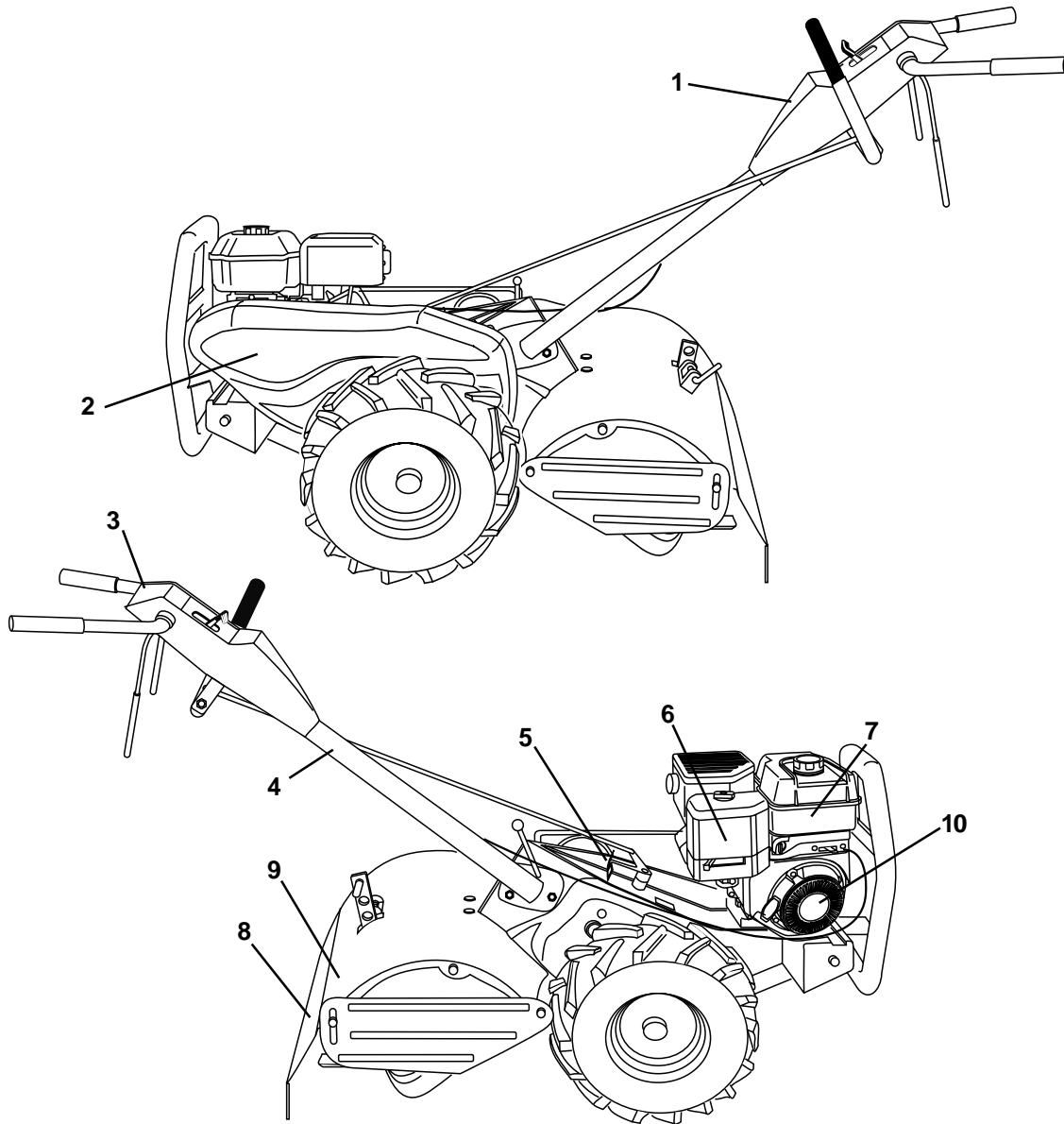
| KEY NO. | PART NO. | DESCRIPTION |
|---------|-----------|-------------------------------|
| 8 | 874610616 | Bolt, Hex 3/8-24 x 1 |
| 9 | 532004460 | Tine, Outer, R.H. |
| 10 | 532132728 | Assembly, Hub and Plate, R.H. |
| 11 | 532006555 | Tine, Inner, R.H. |

NOTE: All component dimensions given in U.S. inches.
1 inch = 25.4 mm

REPAIR PARTS

TILLER - - MODEL NUMBER RT5 (JRT5Q)

DECALS



| KEY NO. | PART NO. | DESCRIPTION |
|---------|------------------|--------------------------------|
| 1 | 532141946 | Decal, Logo |
| 2 | 532170754 | Decal, Belt Guard |
| 3 | 532136945 | Decal, Instruction, Tilling |
| 4 | 532159877 | Decal, Hand Placement |
| 5 | 532102180 | Decal, Shift Indicator |
| 6 | 532175643 | Decal, Caution |
| 7 | 532171077 | Decal 5 HP |
| 8 | 532176557 | Decal, Warning, Rotating Tines |
| 9 | 532145437 | Decal, Europe Stand CE |
| 10 | 532171078 | Decal Recoil |
| -- | 532175657 | Manual, Operator's (Euro.) |
| -- | 532175658 | Manual, Operator's (Scan.) |